



Printed-Circuit-Board transformers

Output Power: 6.0 VA

EI 42

	DIN EN 61558-2-6	119359
Report of passed Glow-Wire-Test	DIN EN 60335-1, clause 30.2.3.1 and 30.2.3.2	102961/84814
	UL 5085-1 UL 5085-2	E98173 E98173

- according to REACH regulation
- according to RoHS regulation

Further certifications / approvals on request!

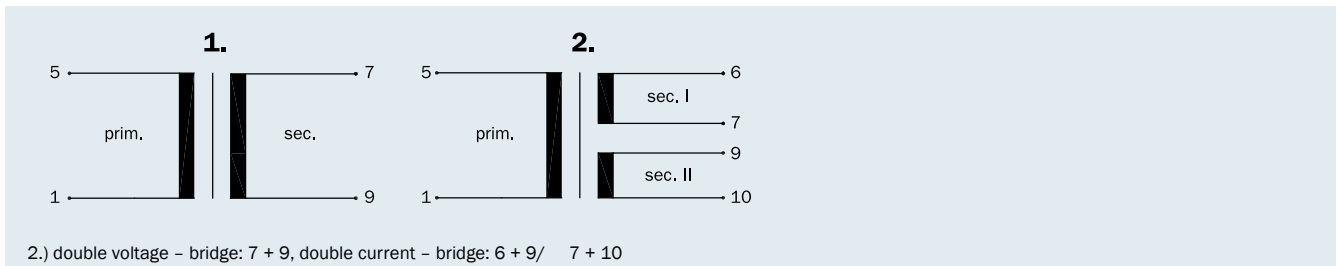


- Output Power up to 6.0 VA
- Non short-circuit-proof at temperature class ta 70 °C/B
- Standard type cast housing “K” and “O”
- Excellent temperature fluctuation resistance properties
- High electrical safety and long service life features
- High voltage resistance
- Self-extinguishing cast housing and sealing material
- 100 % piece inspection

Protection extern secondary by:

- Micro fuse according to IEC 127

Connection scheme (only connected pins are present)



Frame size/Core height	Output Power ta 70 °C/B	Height (h)	Weight	Packaging unit
BV EI 422 /14.8 mm	6.0 VA	max. 32.6 mm	0.200 kg	30/21 pieces*

* it depends on kind of cast housing

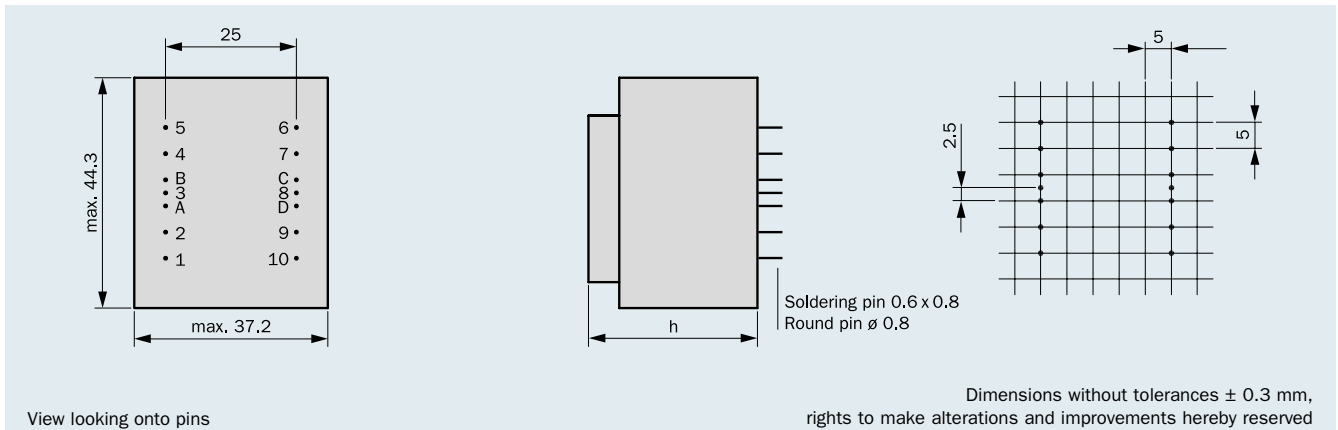


Printed-Circuit-Board transformers

Output Power: 6.0 VA

EI 42

Connecting pins type cast housing "0"



Type cast housing "0"

6.0 VA
ta 70 °C/B

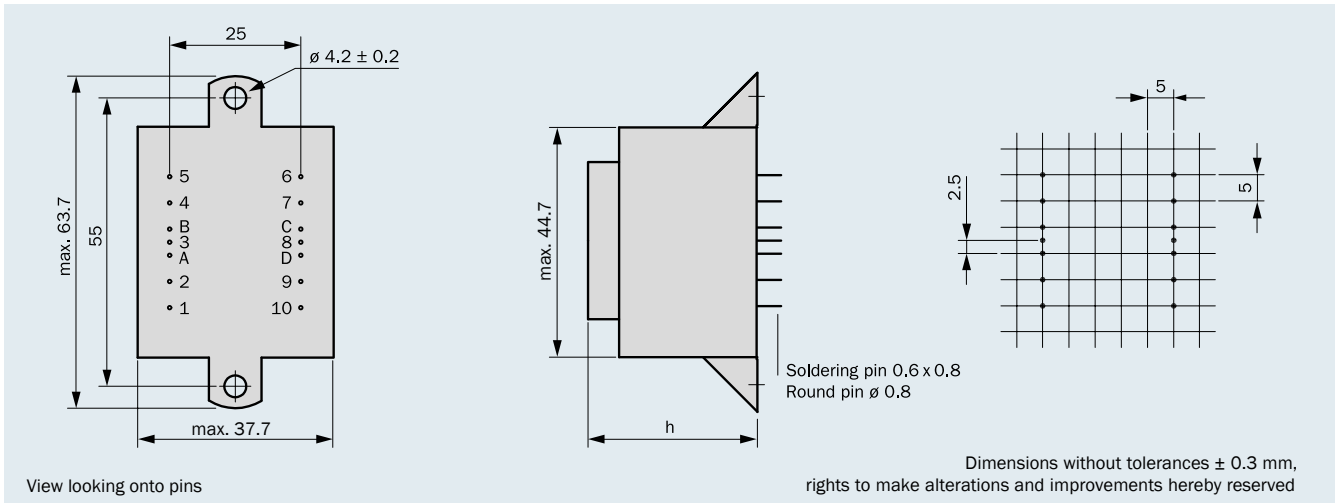
Frame size/Core height
BV EI 422.... /
14.8 mm

non short-circuit-proof

no load power loss
type. 1.3 W

Order No.	Primary voltage V	Connecting pins prim.	Secondary voltage V	Current sec. mA	Connecting pins sec.	No-load voltage V	Connection scheme
BV EI 422 1320	230	1 - 5	1 x 6	1000	7-9	1 x 8.7	1
BV EI 422 1298	230	1 - 5	2 x 6	500	6-7/9-10	2 x 8.7	2
BV EI 422 1303	230	1 - 5	1 x 7.5	800	7-9	1 x 10.9	1
BV EI 422 1304	230	1 - 5	2 x 7.5	400	6-7/9-10	2 x 10.9	2
BV EI 422 1285	230	1 - 5	1 x 9	667	7-9	1 x 13.0	1
BV EI 422 1281	230	1 - 5	2 x 9	334	6-7/9-10	2 x 13.0	2
BV EI 422 1275	230	1 - 5	1 x 12	500	7-9	1 x 16.7	1
BV EI 422 1260	230	1 - 5	2 x 12	250	6-7/9-10	2 x 16.7	2
BV EI 422 1276	230	1 - 5	1 x 15	400	7-9	1 x 20.2	1
BV EI 422 1305	230	1 - 5	2 x 15	200	6-7/9-10	2 x 20.6	2
BV EI 422 1289	230	1 - 5	1 x 18	334	7-9	1 x 24.6	1
BV EI 422 1306	230	1 - 5	2 x 18	167	6-7/9-10	2 x 24.6	2
BV EI 422 1355	230	1 - 5	1 x 21	285	7-9	1 x 27.1	1
BV EI 422 1307	230	1 - 5	1 x 24	250	7-9	1 x 30.8	1

Connecting pins type cast housing "K" with 2 fixing straps



Type cast housing "K"

6.0 VA
ta 70 °C/B

Frame size/Core height
BV EI 422 /
14.8 mm

non short-circuit-proof



no load power loss
type. 1.3 W

Order No.	Primary voltage V	Connecting pins prim.	Secondary voltage V	Current sec. mA	Connecting pins sec.	No-load voltage V	Connection scheme
BV EI 422 1218	230	1 - 5	1 x 6	1000	7 - 9	1 x 8.7	1
BV EI 422 1219	230	1 - 5	2 x 6	500	6 - 7/9 - 10	2 x 8.7	2
BV EI 422 1220	230	1 - 5	1 x 7.5	800	7 - 9	1 x 10.9	1
BV EI 422 1221	230	1 - 5	2 x 7.5	400	6 - 7/9 - 10	2 x 10.9	2
BV EI 422 1222	230	1 - 5	1 x 9	667	7 - 9	1 x 13.0	1
BV EI 422 1223	230	1 - 5	2 x 9	334	6 - 7/9 - 10	2 x 13.0	2
BV EI 422 1224	230	1 - 5	1 x 12	500	7 - 9	1 x 16.7	1
BV EI 422 1225	230	1 - 5	2 x 12	250	6 - 7/9 - 10	2 x 16.7	2
BV EI 422 1226	230	1 - 5	1 x 15	400	7 - 9	1 x 20.2	1
BV EI 422 1227	230	1 - 5	2 x 15	200	6 - 7/9 - 10	2 x 20.6	2
BV EI 422 1228	230	1 - 5	1 x 18	334	7 - 9	1 x 24.6	1
BV EI 422 1229	230	1 - 5	2 x 18	167	6 - 7/9 - 10	2 x 24.6	2
BV EI 422 1354	230	1 - 5	1 x 21	285	7 - 9	1 x 27.1	1
BV EI 422 1230	230	1 - 5	1 x 24	250	7 - 9	1 x 30.8	1

Individual version!

Parallel to the cataloged EI 42 series transformers, HAHN also produces other variants, e.g. with integrated thermo fuse or thermo switch, other housing-, fixing- and connective options as well as non-encapsulated transformers.

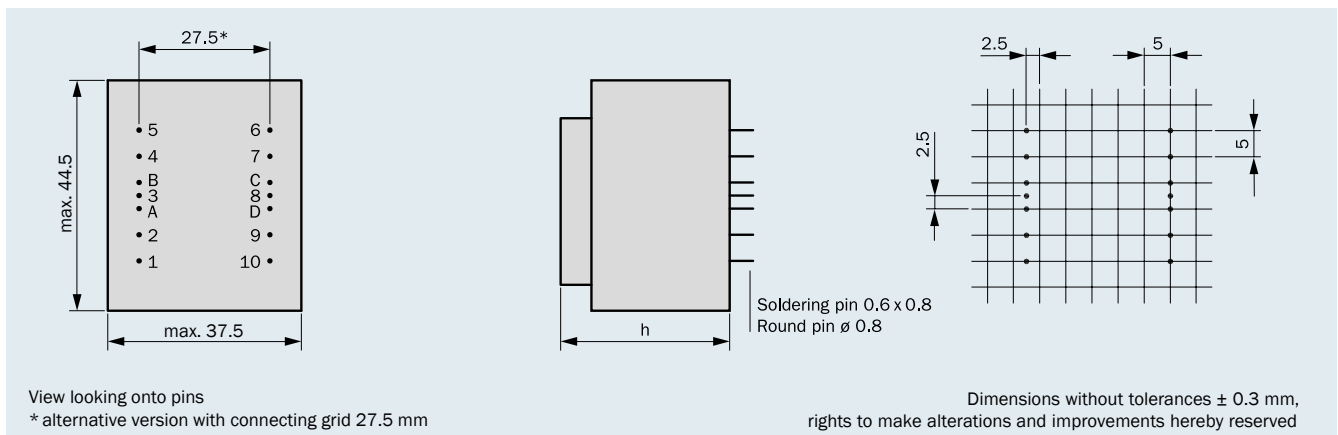
- according to REACH regulation
- according to RoHS regulation

Further certifications / approvals on request!

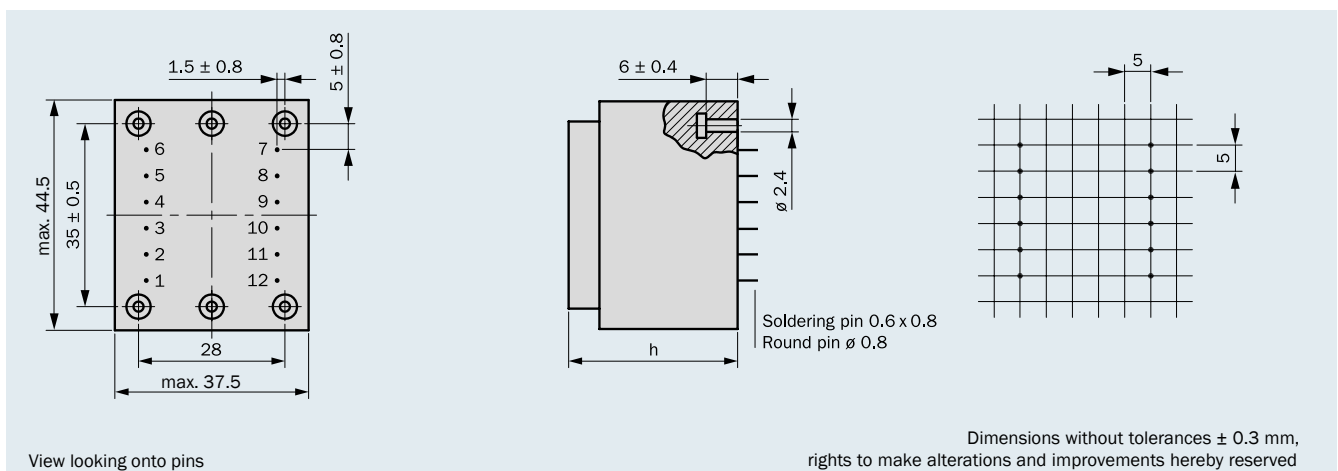
Frame size/Core height	Output Power ta 70 °C/B	Height (h)	Weight
BV EI 421 / 8.5 mm	3.0 VA	max. 26.7 mm	0.120 kg
BV EI 422 /14.8 mm	6.0 VA	max. 32.6 mm	0.200 kg
BV EI 423 /20.0 mm*	10.0 VA	max. 38.3 mm	0.250 kg

* only type cast housing "O"

Connecting pins type cast housing "O"



Connecting pins type cast housing "O" with fixing band





Printed-Circuit-Board transformers

Output Power: 6.0 VA

EI 42

Connecting pins type cast housing "SV" for upright mounting

